

RGB Sync to CS/SV Converter ID#459



Operation Manual

Introduction

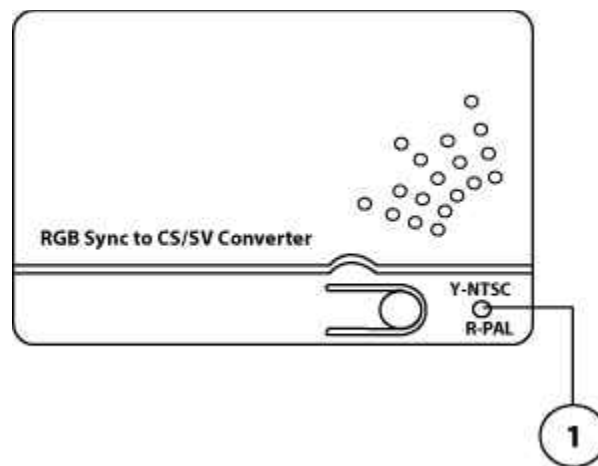
The RGB Sync to CS/SV Converter converts 15k RGB/H+V sync signal to NTCS/PAL CV/SV. It is ideal for use in displaying GPS, RGB, NAVI system on headrest car screen.

Features

- Compact size and easy carrying
- Ideal for the application of any navigation computers and car mini screens
- Supports NTSC and PAL output
- The input signal is RGB Sync 15k
- The output signal can be composite video and Super-video.

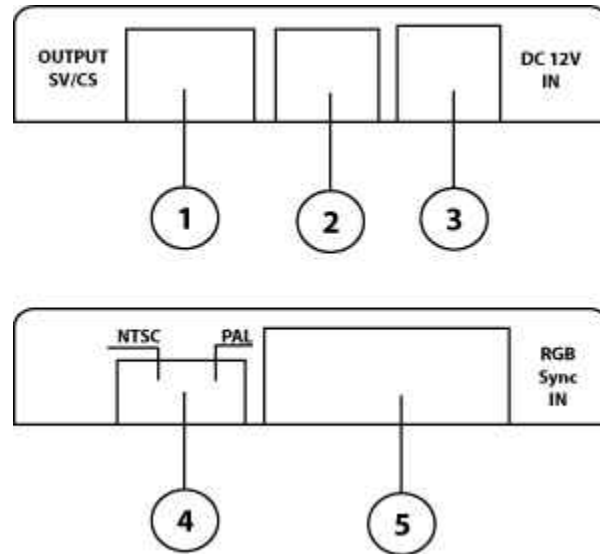
Operating Functions and Controls

Top Panel



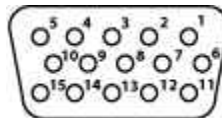
1. **Indicator Light:**
The LED indicator light shows which output system is selected.
Red indicator signifies PAL system.
Yellow indicator signifies NTSC system.

Front and Rear Panels



1. **S-Video output: S-Video jack for Y/C output**
2. **Video output: RCA connector for composite video output.**
3. **DC 12V 1A**
4. **Dip switch for choosing the output system.**
5. **RGB Sync Input: RGB D-sub connector.**

D-Sub 15 pin Configurations



1	R	6	GND	11	X
2	G	7	GND	12	X
3	B	8	GND	13	SYNC/H+V
4	X	9	X	14	X
5	GND	10	GND	15	X

Installation



Specifications

Power Supply:	12V DC
Operating Temperature Range:	0 – 70 Degrees C
Operating Humidity Range:	30 to 80% RH
Input Connector:	D-sub 15 female x 1
Output Connector:	Video: 1 Vpp@75 Ohm load
	S-Video: Y: 1 Vpp@75 Ohm load
	C: 0.286 Vpp@75 Ohm load
Dimensions:	100(l) x 64(w) x 24(h) mm
Weight:	90GS