

**PC to Component Video Receiver  
over Cat5 Cable - 50m ID# 548**



**Operation Manual**

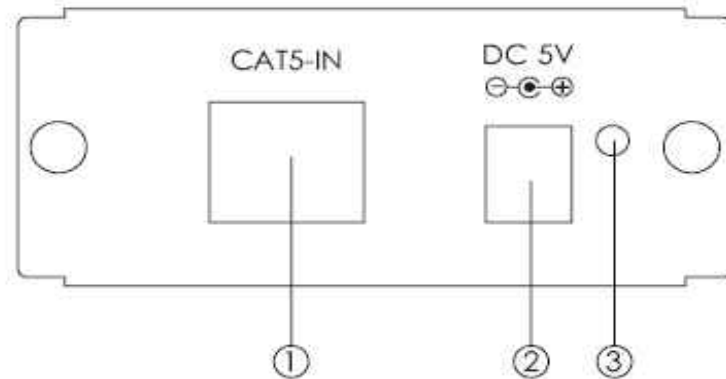
## Introduction

The PC to Component Video Receiver over Cat5 Cable - 50m is the receiver (Rx) unit of Component over CAT5 solution, works with PC to Component Video Transmitter over Cat5 Cable (the transmitter), can extend Component signal through CAT-5 cables for a distance up to 50 meters. The installation of Component over CAT5 is easy and quick, simply place PC to Component Video Receiver over Cat5 Cable - 50m next to your display, and get all necessary cables connected to complete and enjoy.

## Features

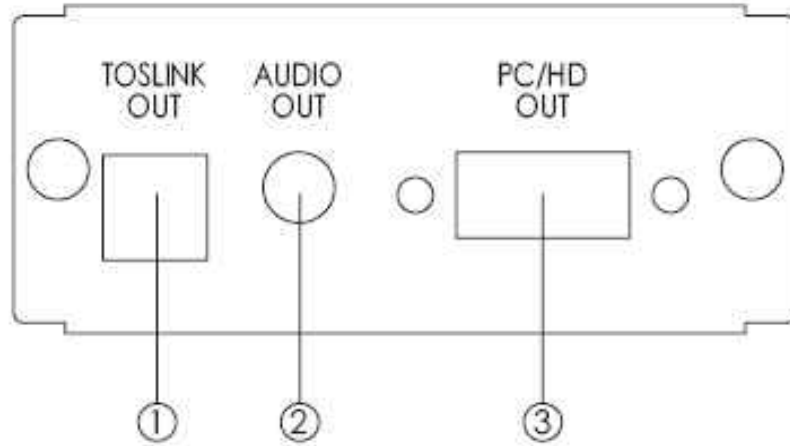
- Supports PC/RGB and HD/YCbCr/YPbPr format output.
- Supports CAT-5 cable.
- Supports high definition (HD) output source up to 1080P.
- Supports PC output source up to UXGA.
- The output signal will depend on the input source.
- Easy to install and simple to operate.

## Operating Functions and Controls Front Panel



- 1. CAT5-In:** Connected the video output to the video input of the CAT5 receiver unit using CAT-5 cable.
- 2. DC 5V/1A:** Power input.
- 3. Power ON/OFF indicator.**

## Rear Panel



- 1. Toslink output:** Connected SPDIF output to the display audio input.
- 2. Audio output:** Connected audio R/L output to the display audio input.
- 3. PC/HD output:** Connected the PC/HDMI output port to the PC/HDMI input display.

## Specifications

### Supported resolutions

### Output audio source ports

### input video source port

### Power Supply

### Dimensions (mm)

### Weight(g)

### Chassis Material

### Silk Skin Color

### Operating Temperature

HD: up to 1080p; PC: up to UXGA

Audio L/R or Toslink/SPDIF

CAT-5

5V/1A DC (US/EU standards, CE/FCC/UL certified)

99.5(W) x 77(D) x 32.5(H)

200

Metal

Black/Silver

Operating from 0°C~70°C ~ C