

Magic View Video Scaler w/ RS 232 ID# 82



Operation Manual

Introduction

This unit is a high quality up-scaler converting Composite, S-Video and YCbCr into high resolution PC or HDTV output. Input, output and picture can all be controlled via the OSD menu, remote control. It is best suited for use with LCD projectors, CRT/LCD monitors, and plasma or HDTV displays to improve picture quality.

Features

- Professional Video Scaler/De-interlacer.
- Supports VGA, SVGA, XGA, SXGA (1280x1024) PC output.
- Supports HDTV output 480p, 576p, 720p, and 1080i.
- State-of-the art frame buffer technology.
- Reverse 3:2/2:2 pull down provides clear and crisp de-interlacing of video originating from 24 film, such as DVD movies.
- Digital Noise Reduction.
- Brightness, Colour, Contrast, Sharpness and Tint adjustment.
- Dynamic format 4:3 or 16:9 output.
- 3D comb filter for composite input ensures jitter-free picture.
- Compatible with NSTC and PAL video input.
- Easy to use IR remote control.
- OSD display.

Operating Functions and Controls Front Panel



1. Mode- if you press this button repeatedly it will toggle through the following adjustment controls- Source-Resolution-Output-Aspect-3D enhance- Digital NR.

Source Mode- While under this mode, press the up and down buttons to choose the desired input mode from C-Video, S-Video and component inputs.

Resolution Mode- If output is selected as RGB, press the up and down buttons to choose from 640 x 480 (VGA), 800 x 600 (SVGA), 1024 x 768 (XGA) or 1280 x 1024 (SXGA) PC output. If output is selected as YPbPr press the up and down arrows to choose from 480p, 576p, 720P or 1080i HDTV output.

Output Mode- Press the up and down arrows in order to select between PC RGB output and HDTV YPbPr output.

Aspect Mode- Press the up and down arrows in order to select between standard (4:3) aspect and wide (16:9) aspect ratio.

3D Enhance Mode- This mode is used to turn on or off the 3D comb filter function. When VCR or non-standard video source is connected to the input the output picture may be jittering. If this occurs, please turn off the 3D enhance function.

Digital NR Mode- To turn on or turn off the digital noise reduction function.

2. Picture- Press this button and it will toggle through the following picture adjustment parameters- Contrast-Bright-Colour-Tint-Sharpness.

Contrast- Press the up and down arrows in order to adjust the picture contrast level (0~48).

Bright- Press the up and down arrows in order to adjust the level of picture brightness (0~48).

Colour- Press the up and down arrows in order to adjust the colour saturation level (0~48).

Tint- Press the up and down arrows in order to adjust the tint level (0~48).

Sharpness- Press the up and down arrows in order to adjust the sharpness level of the picture (0~48).

3. ▲- ▼ Press these buttons in order to toggle through the adjustment controls.

4. IR Sensor- This is the infrared remote control sensor.

5. Power and LED button- press once to power on the unit, press again to turn off the unit.

6. Front Panel lockout- under certain circumstances it may be desirable to disable the front panel controls. In order to do so, press the front panel lockout to ON position. To lift the lockout and revert all parameters back to factory preset values, please press mode and picture buttons simultaneously for over 10 seconds.

NOTE- *Under the picture adjustment mode, press the up and down arrows simultaneously and it will revert the selected parameter back to the factory-preset value. Press both buttons for over 5 seconds and it will revert all picture adjustment parameters back to their factory-preset values.*

Rear Panel

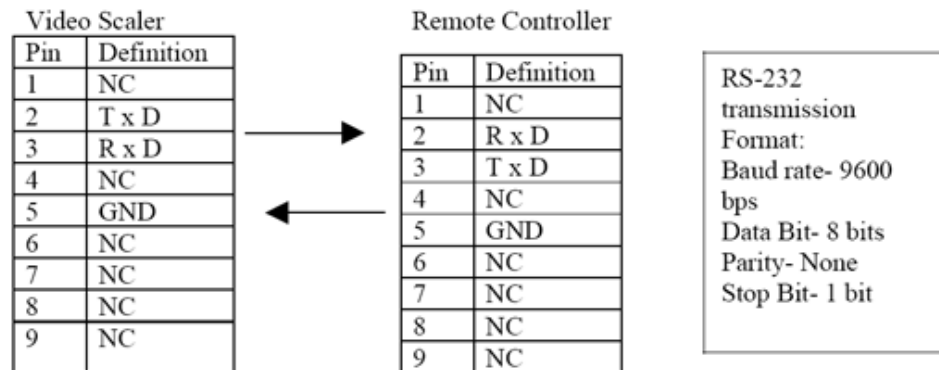


- 1. S-Video-** Use an S-Video cable to connect the S-Video output of the source video equipment to the S-Video input port.
- 2. Composite Video-** This is the C-Video input port. Use a composite video cable to connect the composite video output of the source equipment to the C-Video input port.
- 3. YCbCr input-** Use a 3 RCA to 3 RCA YCbCr to connect the YCbCr output of the source video equipment to the connector labeled YCbCr. Note that the plugs colours have to match with the colour of the RCA Jacks.
- 4. PC In- Computer RGB with H & V Sync-** Connect the source computers VGA output signal to the HD 15 connector PC In. This computer input signal is not scaled but is available for pass-through when the video scaler is in the PC In (Bypass) mode. Connect the scaled output to your projector, PDP or LCD display.
- 5. RGB/YPbPr Output-** The HD-15 D-Sub connector is shared by PC/RGBHV output and HDTV/YPbPr output. When PC/RGBHV output resolution is selected, use the HD-15 to HD-15 VGA cable to connect the output to the PC input of your display monitor. When HDTV/YPbPr output is selected, use the HD-15 to YpbPr 3 x RCA cable to connect the output to the YPbPr input of your HDTV display.
- 6. RS 232-** This is the 9-Pin D-Sub connector for connecting to your PC or other control console for remote control.
- 7. DC Power Jack-** This is the DC power supply input port.

Remote Control

- 1. Power-** This is the power on and off button.
- 2. Display-** This button allows you to enable or disable the on screen display of the resolution information.
- 3. C-Video-** Press the button to select composite video as input source.
- 4. S-Video-** Press the button to select S-Video as input source.
- 5. YCbCr-** Press this button to select YCbCr as the input source.
- 6. PC-** Press the button to select PC input looping through to the output.

7. **VGA-** Press this button to select 640 x 480 as output resolution.
 8. **SVGA-** Press this button to select 800 x 600 as output resolution.
 9. **XGA-** Press this button to select 1024 x 768 as output resolution.
 10. **SXGA-** Press this button to select 1280 x 1024 as output resolution.
 11. **480p-** Press this button to select 852 x 480p as output resolution.
 12. **576p-** Press this button to select 852 x 576p as output resolution.
 13. **720p-** Press this button to select 1280 x 720p as output resolution
 14. **1080i-**press this button to select 1920 x 1080i (interlaced) as output resolution.
 15. **Aspect Ratio-** Press the button to switch between standard (4:3) and wide (16:9) aspect ratio.
 16. **IR-Set-** When the front panel is locked out; press this button for over 15 seconds and it will lift the lockout.
 17. **3D-** Press to turn on or off the 3D enhance.
 18. **NR-** Press this button to turn on or off the digital noise reduction.
 19. **Mode-** Press this button to toggle through the following adjustments: Source- Resolution-Output-Aspect-3D Enhance-Digital NR.
 20. **Picture-** Press this button to toggle through the following picture adjustments: Contrast- Bright- Colour- Tint- Sharpness.
 21. **Reset-** Press this button and it will revert picture adjust back to factory preset values.
- NOTE-** the connection between the unit and the RS 232 remote controller is made with a modem cable.



Connection and Installation

The AC adaptor power unit should not be plugged into a wall outlet until all connections are complete.

- Connect your Video or DVD device using the appropriate connector cable to the Composite Video (Number 1 on rear panel), S-Video (Number 2 on rear panel) or YCbCr input port (Number 3 on rear panel).
- Connect your PC, Notebook or MAC to the PC In port (Number 4 on rear panel).
- Connect your projector or HDTV to the RGB/YPbPr Output port (Number 5 on the rear panel). The HD-15 D-Sub connector is shared by PC/RGBHV output and HDTV/YPbPr output. When PC/RGBHV output

resolution is selected, use the HD-15-to-HD-15 VGA cable to connect the output to the PC input of your display monitor. When HDTV/YPbPr output is selected, use the HD-15 to YPbPr 3 x RCA cable to connect the output to the YPbPr input of you HDTV display.

- Connect your RS 232 using the 9-Pin D-Sub connector to your PC or other control console for remote control.

Once all connections are complete, switch the power button ON and please connect the power supply provided to the power socket.

Specifications

Computer Input (Loop thru)	RGB with HV Sync		
Max Computer Input Resolution	1600 x 1200		
Computer Input Connector Type	HD 15 Female		
Computer Input Signal Level	RGB @ 0.7V, H & V Sync @ TTL		
Video Inputs	Composite Video @ 1Vp-p 75ohm S-Video @ 1Vp-p 75 ohm YCbCr Y: 1Vpp 75ohm CbCr: 0.7 Vp-p 75 ohm		
Video Standard	NTSC 3.58, PAL B/D/G/I		
Video Input Connectors	Composite Video on BNC S-Video on 4 Pin Mini DIN Component on BNC		
Scaled Output Resolutions	PC RESOLUTION	Format	Scan
	Pixels VGA- 640 x 480 SVGA- 800 x 600 XGA- 1024 x 768 SXGA- 1280 x 1024	RGBHV RGBHV RGBHV RGBHV	Progressive Progressive Progressive Progressive
	HDTV RESOLUTION 16.9- 1280 x 720p 16.9- 1920 x 1080i 852 x 480p 862 x 676p	YPbPr YPbPr YPbPr YPbPr	Progressive Interlaced Progressive Progressive
Scaled Output Vertical Refresh Rates and Horizontal Scan Rates			
Manual Control	Front Panel Buttons		
RS-232 Control	Via rear panel DB9F connector		
IR Remote Control	Yes		
Video Adjustments	Brightness, Contrast, Colour Saturation, Tint and Sharpness.		
Weight	1 Kg		
Dimensions	204 (D) x 154 (W) x 46 (H) mm		
Power Source	DC 5V 2A Center positive		