

HDMI Video Transmitter over Cat5 Cable – 50m to 250m ID# 542



Operation Manual

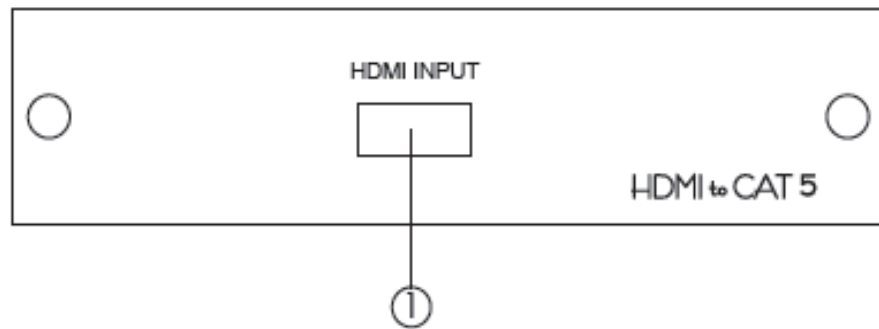
Introduction

HDMI Video Transmitter over Cat5 Cable - 50m to 250m is the transmitter (Tx) unit of HDMI over CAT5 Tx/Rx solution, depends on the type of receiver (Rx) unit used, HDMI Video Transmitter over Cat5 Cable - 50m to 250m can extend HDMI signal through CAT-5 cables for a distance up to 50/100/150/250 meters. The installation of HDMI Over CAT5 is easy and quick, simply place HDMI Video Transmitter over Cat5 Cable - 50m to 250m next to your HDTV source such as a DVD player, then place the receiver unit (**ID # 539 / ID # 540 / ID #541**) next to your display, and get all necessary cables connected to complete and enjoy.

Features

1. Compliant with HDMI 1.2, HDCP 1.1 and DVI 1.0 specifications.
2. Supports CAT-5/CAT-5E/CAT-6 cables of variable types.
3. Supports high definition input up to 1080P, output resolution follows input.
4. Easy to install and simple to operate.

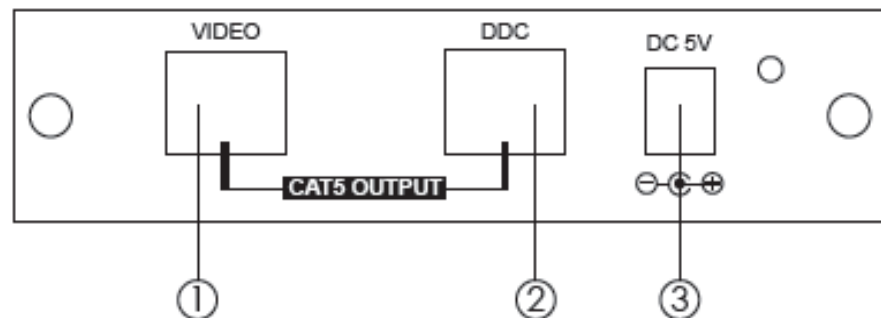
Operating Functions and Controls Front Panel



1. HDMI OUTPUT:

Connect the HDMI input port to the HDMI or DVI output of your source equipment such as DVD player or set-top-box.

Rear Panel



1. VIDEO OUTPUT:

Connect the VIDEO output to the VIDEO input of the receiver unit using CAT-5/CAT-5E/CAT-6 cable.

2. DDC OUTPUT:

Connect the DDC output to the DDC input of the receiver unit using CAT-5/CAT-5E/CAT-6 cable.

Note: For advanced user only, if it's known that the DDC or HDCP data are not required for the source and the display, you can use a single CAT-5 cable to connect the VIDEO ports of transmitter and receiver.

3. Power:

Plug the 5VDC power supply into the unit and connect the adapter to AC wall outlet.

Specifications

1. Supported resolutions:	HDMI - 480i/480p, 576i/576p, 720P@50/60Hz, 1080i@50/60Hz, 1080p@50/60Hz
2. Input:	1 CAT-5 input for VIDEO, 1 CAT-5 input for DDC
3. Output:	1 HDMI female port
4. Power:	5V DC power supply
5. Dimensions:	123(W) x 125(D) x 30(H)mm
6. Weight:	700g

Connection and Installation

