

# ***HDMI v1.3 Video and Digital Audio Selector ID# 619***



**Operation Manual**

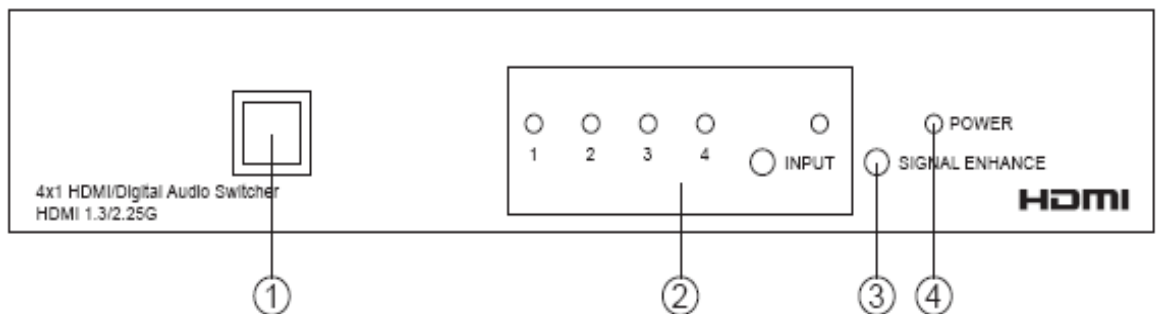
## Introduction

This unit is a high performance HDMI v1.3 switcher with a separate digital audio input and output. It allows you to share one HDTV display among several HDMI Sources. Simply press one button to select your desired HDMI source to be displayed on the HDTV, While the selected digital audio passes through Toslink or Coaxial channel to be played on your audio amplifier.

## Features

- 1 HDMI 1.3, HDCP 1.1 and DVI 1.0 compliant.
- 2 Supports 30/36 bit color depth display.
- 3 Supports High Definition audio - Dolby Digital TrueHD and DTS-HD Master Audio.
- 4 Signal Enhancement feature allows you to improve signal quality after long distance transmission.
- 5 LED indicators.
- 6 Ideal for home theater integration, conference room and retail stores.
- 7 Supports input/output resolutions:  
**PC:** VGA, SVGA, XGA, SXGA, UXGA (1600 x 1200) and WUXGA (1920 x 1200)  
**HDTV:** 480i, 480p, 576i, 576p, 720p, 1080i and 1080p
- 8 Remote control & RS232 operation.
- 9 Easy to install and to operate.

## Operating Functions and Controls Front Panel



### 1. Remote control sensor.

### 2. Input select/Indicators:

Press the "INPUT" button repeatedly to switch to your desired input source (HDMI/Toslink/Coaxial) and the LED will illuminate to indicate which input source is being selected.

## Rear Panel

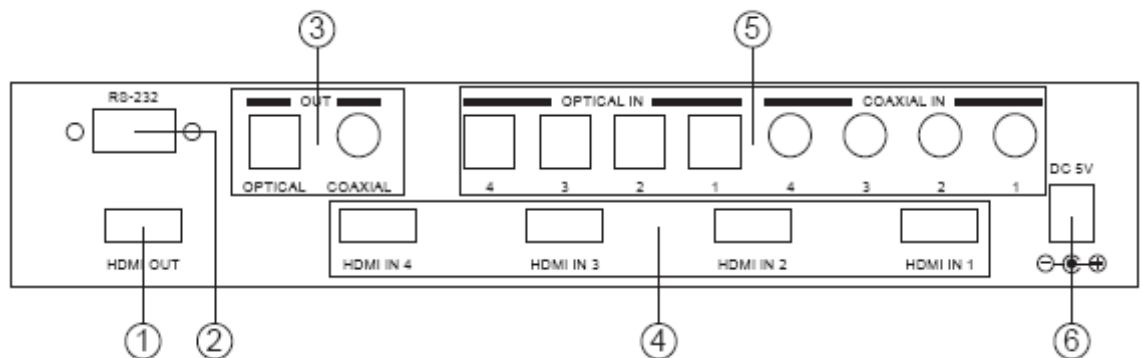
### 3. Signal Enhancement/Indicator:

Press the "Signal Enhance" button to turn on this feature to improve signal quality after long distance transmission. Press again to turn off. The LED will illuminate when the signal is enhanced.

This feature is useful when encountering poor picture quality, if an appropriate picture quality is displayed, the use of the SIGNAL ENHANCE button will not produce a visible change.

### 4. Power LED Indicator:

The LED will illuminate when the power is connected.



### 1. HDMI output:

Connect the HDMI output to the HDMI input of your display using HDMI cable.

### 2. RS-232:

Connect the 9-pin D-sub female connector to your other control console for remote control.

### 3. Digital audio output:

- Connects the Toslink output to the Toslink input of your display using optical cable.
- Connects the digital SPDIF output to the digital coaxial input of the display using coaxial cable.

### 4. HDMI inputs:

Connect your various HDMI sources to each of the HDMI input of the unit using HDMI cables.

### 5. Digital audio inputs:

- Connects your various Toslink sources to each of the Toslink input of the unit using optical cables.
- Connects your various S/PDIF sources to each of the coaxial input of the unit using coaxial cables.

### 6. Power:

Plug the supplied 5VDC power supply into the unit.

## Remote Control

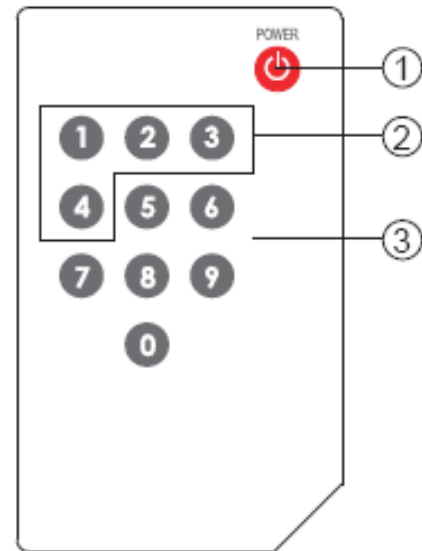
### 1. Power:

Press the button to turn on/off the unit.

### 2. Direct input selector:

Press 1, 2, 3 or 4 to select the desired input source.

3. Void buttons (No function).



## RS-232 Protocol

### Pin Definition

CLUX-41AT			Remote Control Console	
PIN	Definition		PIN	Definition
1	NC		1	NC
2	Tx	→	2	Rx
3	Rx		3	Tx
4	NC		4	NC
5	GND	←	5	GND
6	NC		6	NC
7	NC		7	NC
8	NC		8	NC
9	NC		9	NC

### \* RS-232 transmission format:

Baud Rate: 9600 bps

Data bit: 8 Bits

Parity: None

Stop Bit: 1 bit

### Commands

COMMAND	ACTION
"I" + "1"	PORT 1 ON
"I" + "2"	PORT 2 ON
"I" + "3"	PORT 3 ON
"I" + "4"	PORT 4 ON
"S" + "1"	ENABLE SIGNAL ENHANCE
"S" + "0"	DISABLE SIGNAL ENHANCE
"P" + "1"	POWER ON
"P" + "0"	POWER OFF

## Specifications

<b>Frequency Bandwidth:</b>	2.25 Gbps (single link)
<b>Inputs:</b>	4 x HDMI female port (Type A connector) 4 x Coaxial digital audio port 4 x Toslink digital audio port
<b>Outputs:</b>	1 x HDMI female port (Type A connector) 1 x Toslink digital audio port 1 x Coaxial digital audio port
<b>Power Supply:</b>	5VDC
<b>Weight(g):</b>	850
<b>Dimensions(mm):</b>	240 (W) x 90 (D) x 43 (H)
<b>Silkscreen Color:</b>	Black
<b>Operating Temperature:</b>	0°C~40°C

## Connection and Installation

