

1x4 HDMI 1.3 with Multi-channels Splitter - ID# 741



Operation Manual

Introduction

The 1x4 HDMI switch-selector allows one HDMI audio/video source such as DVD/Blu-ray players or satellite boxes to send audio/video signals to four HDMI displays. This is compatible with HDMI v1.3 specifications, a cutting-edge technology which defines the support to transfer Deep Color (12 bits/color) and new lossless compressed (Dolby TrueHD, Dolby Digital Plus and DTS-HD Master Audio) digital audio, with a high bandwidth up to 225MHz.

Application

- Connect one source equipment to HDMI input and four HDMI/DVI displays to HDMI output for Multi-display instantly.
- For Multi-levels displays, just connect extra splitter.
- Back up display image.

System Requirements

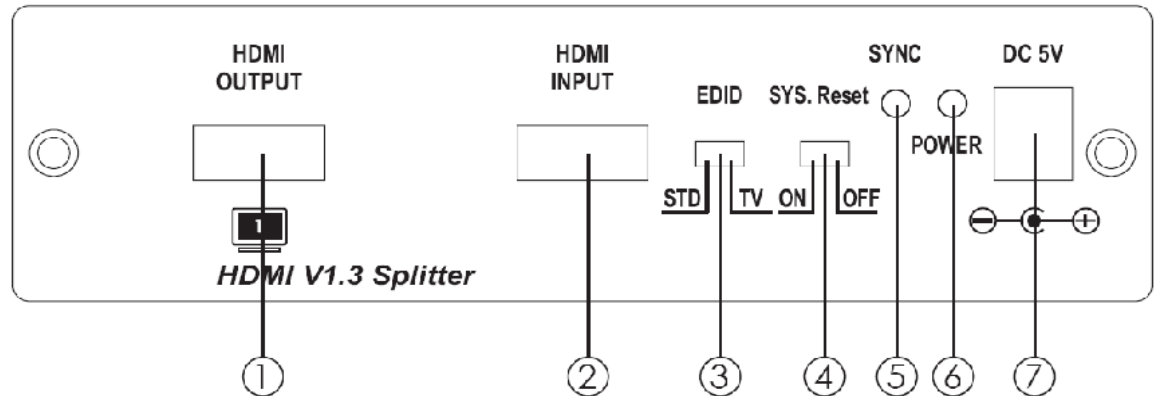
HDMI input source equipment and output HDTVs.

Features

- HDMI 1.3, HDCP1.1 and DVI1.0 compliant.
- Deep color video up to 12bit, 1080p@(24/60)Hz.
- One HDMI source that can connect up to four HDMI displays simultaneously.
- HDCP keysets allows each output to work independently when connecting to a HDMI display.
- Splits a HDMI source up to four outputs without signal loss.
- Supports DVI source and DVI display by using HDMI to/from DVI adaptor cable.
- Dolby Digital Plus, DTS digital audio transmission (32-192 kHz Fs sample rate).
- Supports a wide range of PC and HDTV resolutions from VGA to UXGA and 480i to 1080p.
- HDMI cable distance test with 1080p/8bits resolution the, Input/Output can run up to 15/15 meters. If 1080p/12bits the Input/Output can run up to 10/15 meters.
- Selects EDID from TV mode or STD mode (this splitter).
- Supports CEC bypass.
- Supports System Reset function.

Operating Functions and Controls

Front Panel



- ① **HDMI Outputs 1:** Connect each of the output ports to the HDMI display. When more than one output connected, the HDMI outputs play identical video signal simultaneously.
- ② **HDMI Input:** Connect input port to the HDMI or DVI output of your source equipment such as DVD player or set-top-box.
- ③ **EDID Control switcher:** Default factory setting is TV, leave as it is when the displays are working properly. Switch to STD to use built-in EDID, detail capability in note.
- ④ **SYS. Reset:** Default factory setting is "OFF". Switch to "ON" the system will send the internal CEC to the display within 8~10 minutes, to force all the displays switch to HDMI port 1. In the same time, TV must Supports CEC function in order to display accordingly. When switch to "OFF" the system.
- ⑤ **Sync LED:** The LED will illuminate when the HDMI source signal is connected to the input port.
- ⑥ **Power LED Indicator:** The LED will illuminate when the power is connected.
- ⑦ **Power:** Plug the 5V DC power supply into the splitter and connect the adaptor to AC wall outlet.

Note:

1. When EDID is on TV: Leave as it is if display is properly, unit will detect the first HDMI output source's EDID and record in the unit. If the first detected output source is DVI it will pass to next source, until the first HDMI been detected. The detection priority is HDMI v1.3>HDMI v1.2 >DVI.

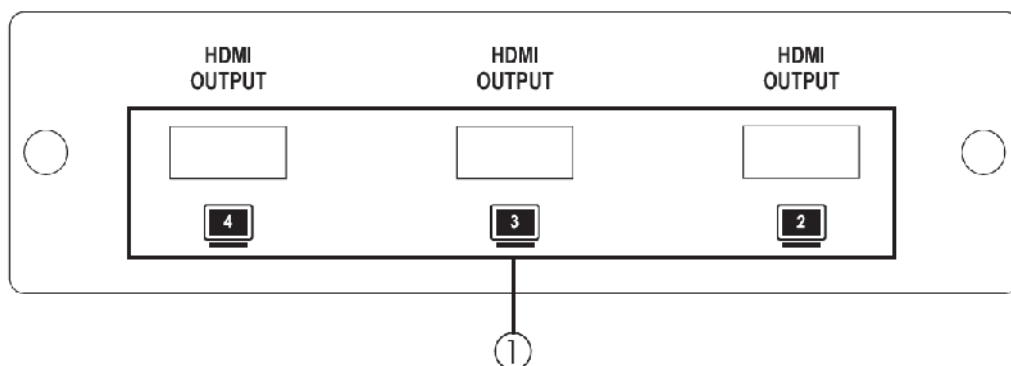
2. When EDID is on STD: unit use built-in EDID

Video Supports -> 1080p 12 bit (max)

Audio Supports -> PCM2

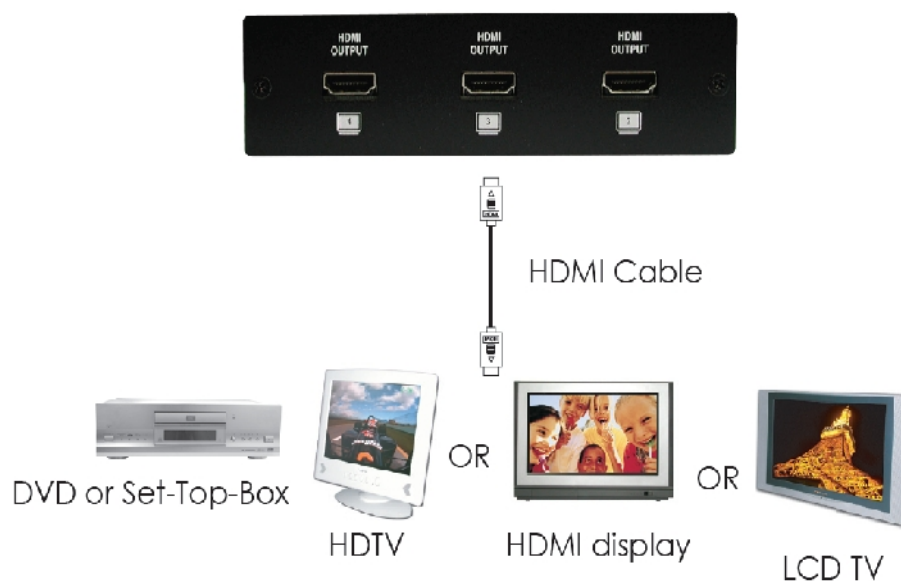
3. Your EDID selection will only activated when the unit is replug and power on.

Rear Panel



① HDMI Outputs 2/3/4: Connect each of the output ports to the HDMI display. When more than one output connected, the HDMI outputs play identical video signal simultaneously.

Connection and Installation



Specifications

Input Ports	4 x HDMI
Output Ports	2 x HDMI
Power Supply	5V/1A DC (US/EU standards, CE/FCC/UL certified)
Dimensions (mm)	206(W) x 111(D) x 32(H)
Weight(g)	248
Chassis Material	Plastic
Silkscreen Color	Black
Operating Temperature	0°C ~ 40°C