

HDMI to 3G SDI Converter

- ID# 975



Operation Manual

Introduction

The HDMI to SDI converter allows HDMI signals to be display on SDI display. It is perfectly useful for an high bit rates processing at 2.970Gbit/s which ensure fast signal transmission without signal loss. Further, the external audio allow user to play a different audio source instead of the HDMI audio to be display synchronously without delay on the SDI output.

Features

- Operation at 2.970Gbps, 2.970/1.001Gbps, 1.485Gbps, 1.485/1.001Gbps and 270Mbps
- Integrated audio de-embedding for max 8 channels of 48kHz audio
- Auto video mode detection (3G/SD/HD)
- Conversion from HDMI to SD/HD/3G signal
- Connect with SDI to HDMI converter to extend your signal over long distances
- Supports input signal transmission distances of up to 300M for SD signals, 200M for HD signals and 100M for 3G signals
NOTE: Cable tested with Belden 1694A. Operating distance may vary if used with another type of cable.

Applications

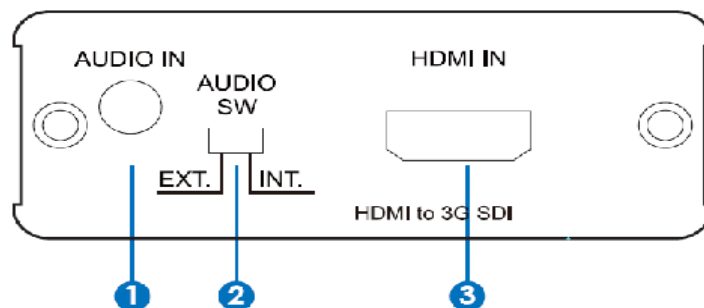
- Smart Home/Luxury House
- Smart Building or any Smart AV Installation System
- HDMI signal convert in to 3G SDI display

System Requirements

Input HDMI source equipment with HDMI cable and output SDI monitor with SDI cable.



Operation Controls and Functions Front Panel



1. AUDIO IN

This slot is where you connect with audio source equipment such as DVD player with 3.5Ø phone jack for audio signal input.

2. AUDIO SW

This switch allows user to choose audio source from EXTERNAL audio input with 3.5Ø phone jack or INTERNAL audio input with HDMI cable.

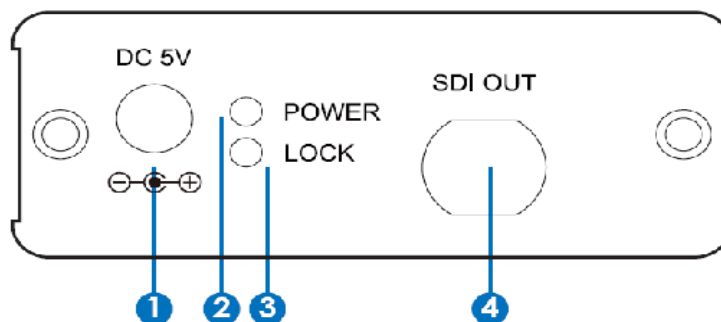
3. HDMI IN

This slot is where you connect with input HDMI source such as HD camera or PC with HDMI cable.

Note:

When input source signal is with HDCP contents the SDI output will not display any image.

Back Panel



1. DC 5V

Plug the 5V DC power supply into the unit and connect the adaptor to AC wall outlet.

2. POWER LED

This blue LED will illuminate when the device is connected with power supply.

3. LOCK LED

This yellow LED will illuminate when both input HDMI source and SDI display has send and received the signal.

4. SDI OUT

This slot is where you connect the SDI display for output image on the screen.

Specifications

Operation Data	2.970 Gbps, 2.970/1.001 Gbps, 1.485Gbps, 1.485/1.001Gbps, and 270Mbps
Frequency Bandwidth	225MHz/link (HDMI 1.3)
Input Port	1 X HDMI, 1 X 3.5Ø PHONE JACK
OUTPUT PORT	1 X BNC (SD-SDI/HD-SDI/3G-SDI)
SDI Video Supports	SD-SDI-480I, 576I, HD-SDI-720P@50/60,1080I@50/60, 1080P@23.98/24/25/29.97/30 3G-SDI-1080P@50/60
HDMI Cable Distance	10M
SDI Cable Distance	3G UP TO 100M HD UP TO 200M SD UP TO 300M
ESD Protection	Human body model: ± 8kV (Air-gap discharge) ± 4kV (Contact discharge)
Power Supply	5V/2.6A DC (US/EU standards, CE/FCC/UL certified)
SDI Cable Distance	3G UP TO 100M (BELDEN 1694A CABLE) HD UP TO 200M (BELDEN 1694A CABLE) SD UP TO 300M (BELDEN 1694A CABLE)
Dimensions (mm)	78 mm (W) × 124 mm (D) × 30 mm (H)
Weight(g)	198
Chassis Material	Aluminum
Silkscreen Color	Silver
Power Consumption	5 W
Operating Temperature	0°C ~ 40°C / 32°F ~ 104°F
Storage Temperature	-20°C ~ 60°C / -4°F ~ 140°F
Relative Humidity	20 ~ 90% RH (non-condensing)

Connection



HD Camera or PC



HDMI Cable



HDMI to 3G SDI Converter



SDI Cable



SDI Monitor