

DVI over CAT5 Transmitter - ID# 750
DVI over CAT5 250m Receiver Box - ID# 751



Operation Manual

Introduction

DVI transmitter and receiver over CAT 5 is a pair of extender for DVI signal - up to 250 meters long. Not only can this device transfer the HD image signal but also the analog/digital audio signal with coaxial and L/R audio port. Through the DDC cable the device can also support HDCP and CEC. This extender is perfect for extending high resolution digital signage with crystal clear images over low cost network solution.

Applications

- For long distance DIV/HDMI source display in a separate room or class.
- For long distance digital or analog sounds transferring up to 250M long.
- Any PC source equipment with output DVI connector.

System Requirements

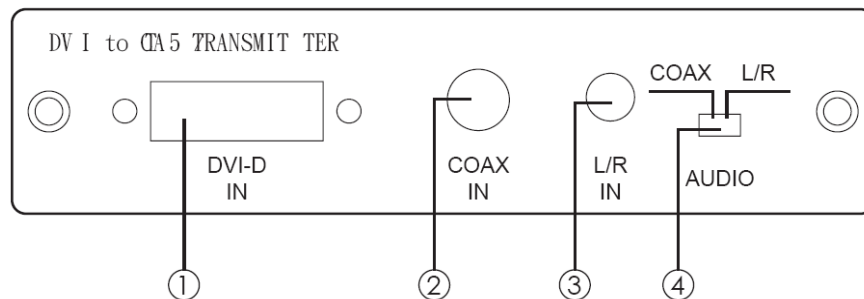
PC/DVI/HDMI source with DVI output connector, DVI to DVI or HDMI to DVI cable(s), CAT 5 cable(s) and DVI display monitor or HDMI TV/Monitor.

Features

- Compliant with HDMI 1.2, HDCP 1.1 and DVI 1.0 specifications.
- Support Equalizer, Gain, CTI (Color Transient Improvement) adjustment.
- Supports high definition input up to 1080P/UXGA, output resolution follows input.
- Easy to install and simple to operate.
- Connect CAT 5 back to DVI without signal loss after 250 meter's transmission.
- Supports DDC/HDCP signal transferring through DDC cable.
- Build-in EDID at transmitter
- Support both external Coaxial and Stereo Sound.

Operating Functions and Controls

Transmitter's Front Panel



① **DVI-D IN** – Plug from DVI/HDMI source equipment's video output with DVI in cable.

Note: Duo to this device has build-in EDID therefore, when HDIM's audio signal is send the device may not perform. Hence, it may be adjust from the HDMI source equipment (eg. DVD play) to set the audio output to LPCM or AC3 or DTS or ... etc.

② **COAX IN** – Plug from DVI/HDMI source equipment's audio output with coaxial cable.

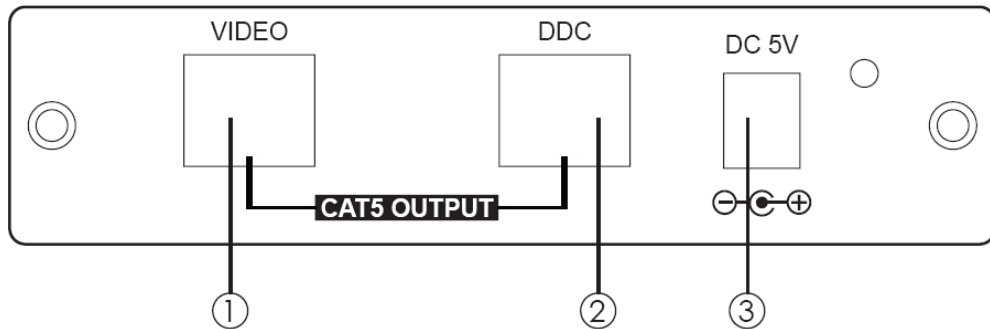
Note: This audio signal is received from CAT 5 with SPDIF format and therefore, LPCM sound will perform 2CH.

③ **L/R IN** – Plug from DVI/HDMI source equipment's audio output with L/R phone jack cable.

④ **AUDIO switch** – Switch your audio source by COAX in or L/R in.

Note: When audio source input is bit stream format, L/R output will not display hence, audio input source should select LPCM for displayable format. Coaxial output will perform the same signal as to Coaxial inputs'.

Transmitter's Rear Panel



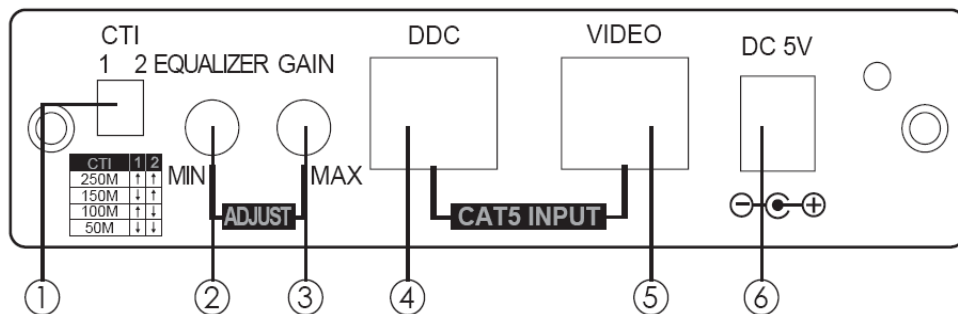
① with CAT-5/CAT-5E/CAT-6 cable.

② **DDC CAT 5 INPUT** – Connect the DDC input to the DDC output of the transmitter with CAT-5/CAT-5E/CAT-6 cable.

Note: For advanced user only, if it's known that the DDC or HDCP data are required for the source and the display, you can use a single CAT-5 cable for the VIDEO connection only.

③ **Power Jack** – Connect with 5V / 2.6A power adaptor with power supply.

Receiver's Front Panel



① **CTI dip switch** – Setting CTI by using the twin jumpers to adjust the optimized setting for different distance of connection.

CTI	1	2
150 - 250m	↑	↑
100 - 150m	↓	↑
50 - 100m	↑	↓
50 m ↓	↓	↓

② **EQUALIZER** – Use this switch to adjust Sharpness/Peak over long distance by turning right or left.

③ **GAIN** – Use this switch to adjust Brightness/Contrast by turning right or left.

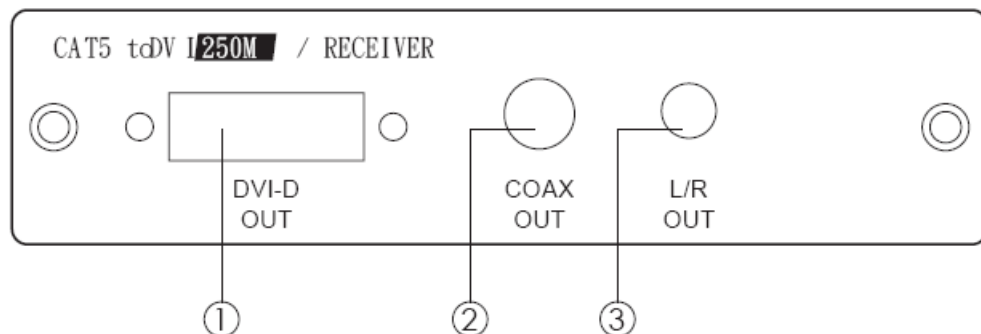
④ **DDC CAT 5 INPUT** – Connect the DDC input to the DDC output of the transmitter with CAT-5/CAT-5E/CAT-6 cable.

Note: For advanced user only, if it's known that the DDC or HDCP data are required for the source and the display, you can use a single CAT-5 cable for the VIDEO connection only.

⑤ **VIDEO CAT 5 INPUT** – Connect the VIDEO input to the Video output of the transmitter with CAT-5/CAT-5E/CAT-6 cable.

⑥ **Power Jack** – Connect with 5V / 2.6A power adaptor with power supply.

Receiver's Rear Panel



① **DVI-D OUT** – Connect to DVI/HDMI display equipment with DIV or DVI to HDMI cable.

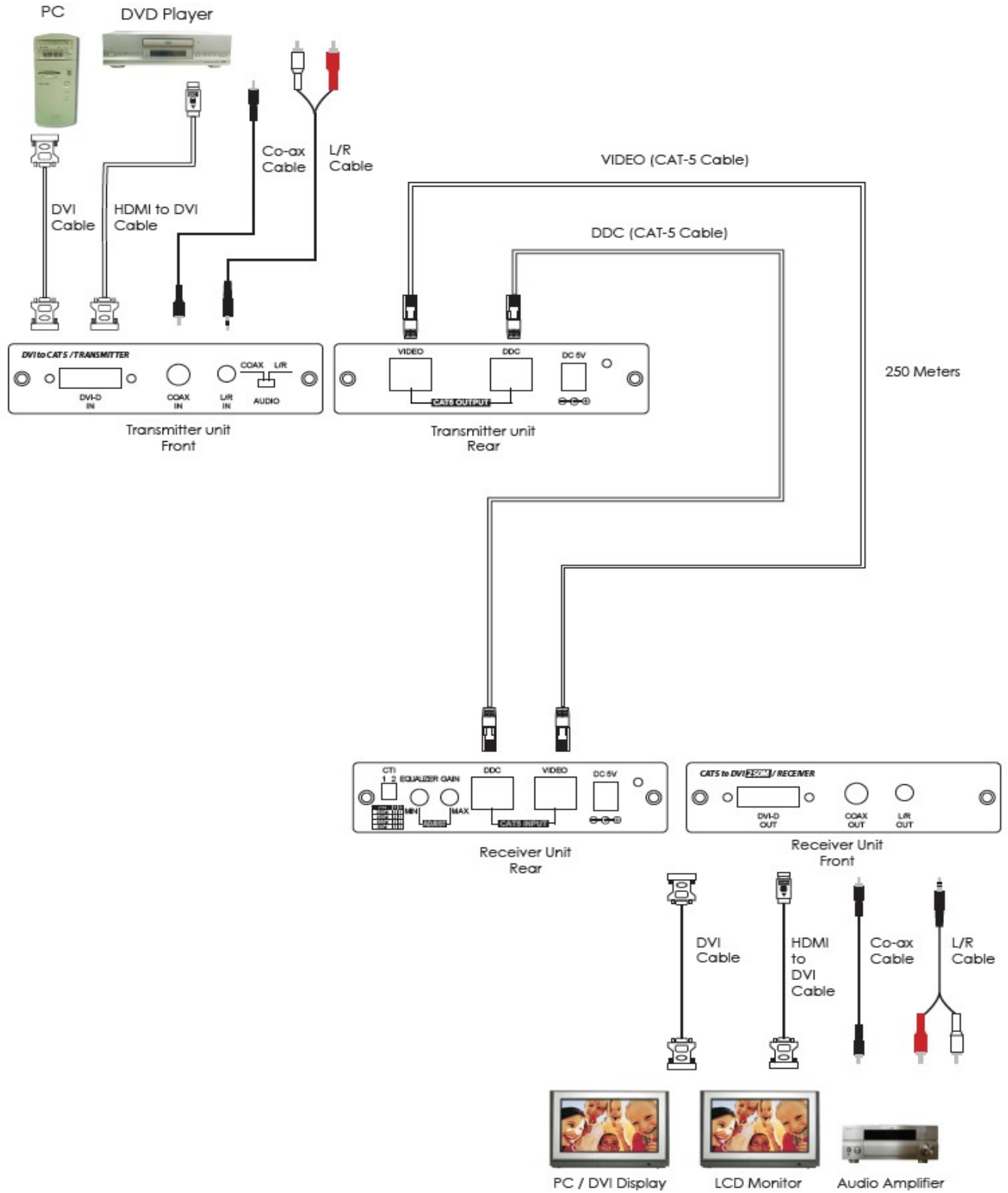
② **COAX OUT** – Connect to audio amplifier or audio equipment's input with coaxial cable.

Note: This audio signal is received from CAT 5 with SPDIF format and therefore, LPCM sound will perform 2CH.

③ **L/R OUT** – Connect to audio equipment's input with 3.5mm phone jack.

Note: This audio channel will perform Stereo sound only. When Dolby or DTS signal is send no sound will be performed.

Connection and Installation



Specifications

Transmitter Input port	1 x DVI-I female port (Accept DVI-D signal only) 1 x Coaxial 1 x L/R Audio
Transmitter Output port	2 x CAT5 RJ 45 8pin
Receiver Input port	2 x CAT5 RJ 45 8pin
Receiver Output port	1 x DVI-I female port 1 x Coaxial 1 x L/R Audio
Resolution	HD- 480i/p 60, 576p 60, 720P 50/60, 1080i 50/60Hz, 1080p 50/60Hz PC- 640 x 480=VGA72, VGA75, VGA85 800 x 600=SVGA56, SVGA60, SVGA72, SVGA75,SVGA85 1024 x 768=XGA60, XGA70, XGA75, XGA85 1280 x 1024= SXGA60, SXGA75, SXGA85 1600 x 1200=UXGA60 1920 x 1200=Reduced blanking WUXGA
Power Supply	5V / 2.6A DC power supply
Dimensions (mm)	125 x 130 x 30 / each
Weight (g)	700 /each
Material	Aluminum
Color	Silver
Power Consumption	Transmitter 7W Receiver 6W