

# DVI-D Dual-link 1x4 Splitter

## # 15328



**Operation Manual**

## Introduction

The Dual-Link DVI splitter allows a single DVI-D signal to be split into two/four DVI outputs. Accept both Single-Link and Dual-Link DVI signal with supporting the highest resolution of WQXGA for Dual-Link and WUXGA@RB for Single-Link DVI this wonderful device allows users with a multi-screen viewing.

## Applications

- Commercial advertising, displaying
- Lecture room display
- Showroom display

## Features

- Supports video resolutions up to WQXGA with Dual-Link DVI or WUXGA with Single-Link DVI
- Built-in adaptive equalizer provides long cable support
- Support EDID function
- Individual control of hot plug detect

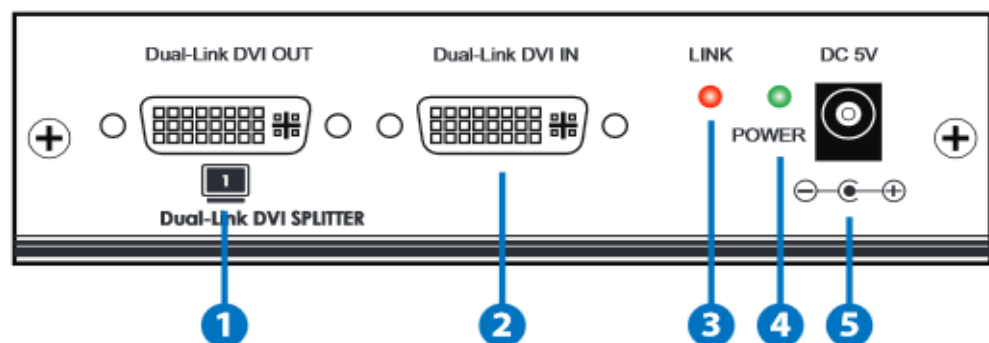
## System

### Requirement

Input source equipments such as PC and output DVI display with DVI cables.

## Operation Controls and Functions

### Front Panel



#### 1. Dual-Link DVI OUT1

This slot is to connect with DVI output display with DVI cable for synchronize outputs up to 2/4.

#### 2. Dual-Link DVI IN

This slot is to connect with the input source such as PC/Graphic

card with Dual-Link DVI cable.

### 3. LINK LED

This LED will illuminate when the input source has send out signal and the output display is in power on status.

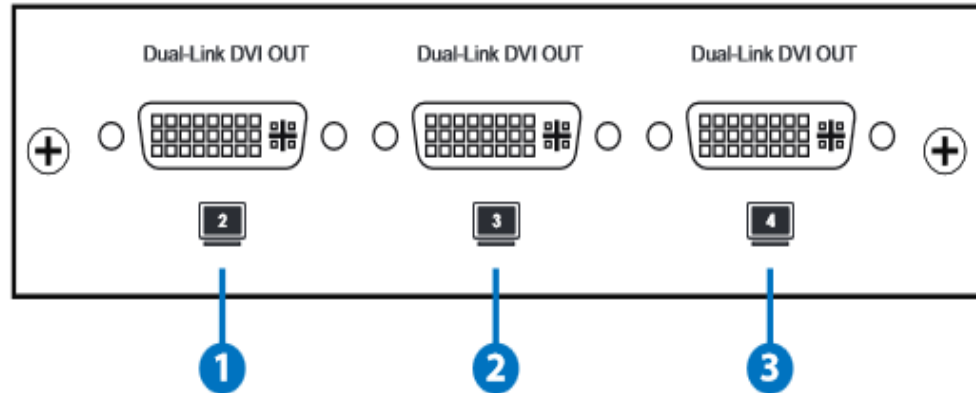
### 4. POWER LED

This LED will illuminate when the device is connected to power adaptor with AC supply.

### 5. DC 5V

Plug the 5V DC power supply included in the package into the unit and connect it to AC wall outlet.

## Rear Panel



### 1. Dual-Link DVI OUT2~4

This slot is to connect with DVI output display with DVI cable for synchronize output with OUT 1.

#### **Note:**

The device will detect OUT 1 as the primary EDID information when both outputs are connected with active monitor. However, when only 1 output is detected then the device will treat that as the primary EDID information.

## Specifications

<b>Video Bandwidth</b>	2 x 165MHz
<b>Input Port</b>	1 x Dual-Link DVI
<b>Output Ports</b>	2 or 4 x Dual-Link DVI
<b>I/O Support Resolution</b>	VGA ~ WQXGA@60 / Dual-Link VGA~ WUXGA@60RB / Single-Link
<b>ESD Protection</b>	Human body model: ± 8kV(Air-gap discharge) ± 4kV(Contact discharge)
<b>Power Supply</b>	5V/2.6A for 2DDS or 5V/4A for 4DDS DC (US/EU standards, CE/FCC/UL certified)
<b>Dimensions</b>	125 mm (W) × 102.5 mm (D) × 30 mm (H)/2DDS 141 mm (W) × 163 mm (D) × 38 mm (H)/4DDS
<b>Weight</b>	288g/2DDS, 670g/4DDS
<b>Chassis Material</b>	Metal
<b>Silkscreen Colour</b>	Black
<b>Operating Temperature</b>	0°C~40°C / 32°F~104°F
<b>Storage Temperature</b>	-20°C~60°C / -4°F~140°F
<b>Relative Humidity</b>	20 ~ 90% RH (non-condensing)
<b>Power Consumption</b>	6.8 W/2DDS, 17W/4DDS

## Connection Diagram

