

Coaxial/Optical to R/L Audio Converter - ID# 928



Operation Manual

Introduction

The Digital to Analog Audio Converter is an easy to use product that converts Coaxial or Optical audio signals into analog Stereo (R/L) audio. It can be easily switched between either Coaxial or Optical inputs. With its compact, elegant design and simple LED input status make it easier for users to connect up and use instantly.

Features

- Supports digital audio input (Coaxial/Optical) and stereo analog audio output (R/L).
- Integrated digital interpolator filter and Digital to Analog Converter (DAC).
- Supports uncompressed digital stereo audio input.
- Compact size and easy to install.
- Supports S/PDIF 192 kHz at 24-bit data for conversion to left and right analog channels.

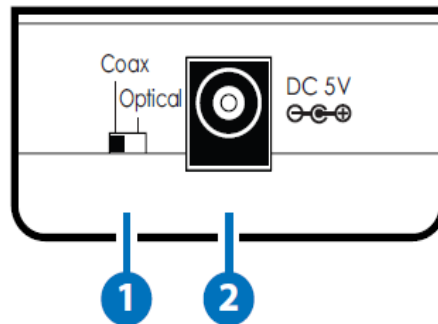
Applications

- HDTV digital output conversion
- 24-bit DAC conversion

System Requirements

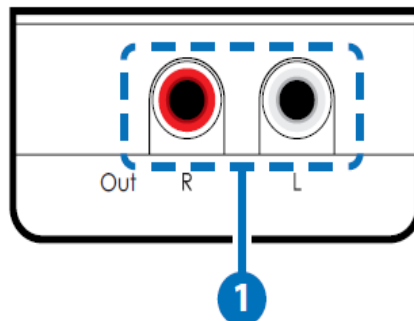
Source equipment such as a DVD/Blu-ray player or an HDTV and output to active speaker or amplifier with connection cables.

Operation Controls and Functions Front Panel



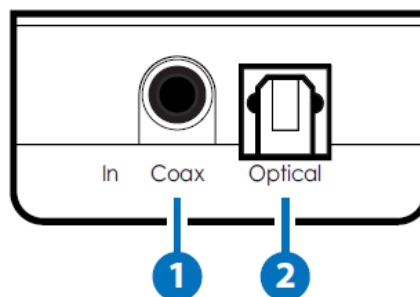
- 1. Coaxial/Optical Switch:** Select which digital audio input is active and will be converted to analog stereo (R/L) audio.
- 2. DC 5V:** Connect the 5V DC power supply to the unit and plug the adaptor into an AC wall outlet.

Right Panel



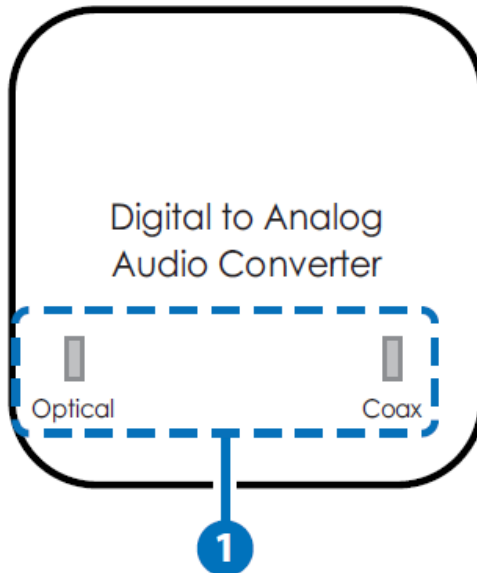
- 1. R/L Out:** Analog stereo output. Connect to the input of your audio device or display.

Left Panel



- 1. Coaxial In:** Connect to the Coaxial digital audio source, such as a DVD player or CD player.
- 2. Optical In:** Connect to the Optical audio source, such as a Blu-ray player or games console.

Top Panel



1. Coaxial/Optical Input Status LED: The LED light will illuminate according to which input is currently selected.

Specifications

Input Ports	1×Coaxial, 1×Optical
Input Format	S/PDIF LPCM 2 CH, 24-bit
Input Sampling Rate	32 kHz, 44.1 kHz, 48 kHz, 88.2 kHz, 96 kHz, 176.4 kHz up to 192 kHz
Output Ports	Analog Stereo (R/L)
Output Level	2 Vrms
Output Impedance	600 Ω
Power Supply	5 V/1 A DC linear power adaptor (US/EU standards, CE/FCC/UL certified) or 5 V/1.2 A switching power adaptor (with universal plug. CE/FCC/UL certified)
Dimensions	42 mm (W)×40.5 mm (D)×22 mm (H)
Weight	25 g
Chassis Material	Plastic
Silkscreen Color	White
Operating Temperature	0 °C~40 °C
Power Consumption	0.74 W

Connection

