

***Active Connect Multimedia
Transmitter and Receiver Box
ID#753***



Operation Manual

Introduction

Thank you for purchasing Active Connect Multimedia Transmitter and Receiver Box. Active Connect Multimedia Transmitter and Receiver Box is an useful device for long distance display of your game/player devices to your HDMI displayer. It allows distance up to 100M at 1080p/8bit and more in total for display and support up to HDMI V1.3 specification further, Active Connect Multimedia Transmitter and Receiver Box's digital transmit format makes no delay or loss for images. Active Connect Multimedia Transmitter and Receiver Box include no firmware inside and therefore, it is easy to install and simple to operate.

Application

- Designed to support long distance HDMI application.
- Enable high bandwidth communication over loss media.
- Also designed to equalize and restore signals receiver over 75Ωcoaxial cable.
- Simply connected the source to the Transmitter unit and over RGBHV coaxial cable to the Receiver unit, then HDMI output to the display.

Features

- Compliant with HDMI 1.3 and DVI 1.1.
- Higher data rates enabling new features and applications.
 - New and improved color gamut (i.e. deep color xvYCC).
 - HD audio (8 channel audio support).
 - High Resolutions from PC (640~480) to WUXGA (1920 x 1200).
 - HDTV resolutions from 480i~1080P/12 bit.
 - Built in Consumer electronics control (CEC).
 - Support Deep Color.
- Gigabit digital transport needs:
 - HDMI 1.3(Category)/DVI(10.2Gb/s).
- The RG6 type 75 Ω coaxial cables can run up to 100m at 10.8Gb/s.
- HDMI 5 COAX RX power setting (externally/internally).
- Support seamless for VESA DDC, CEC and Hot Plug Detect (HPD).
- Support xvYCC.
- Easy to install and simple to operate.

System Requirements

HDMI input device, RGB*, Clock*, Power* cables, HDMI output device.


*Recommend cables use:

Channel Master®

75 Ohm Coaxial Cable

Pro Install Series RG6 Coaxial Cable
MODEL 9532B-FP-1000 Feeder-Pak®
MODEL 9532G-FP-1000 Feeder-Pak®

- 100% shielded
- 18 gauge copper clad steel center conductor
- 60% aluminum braid
- Black (B) or Gray (G) PVC jacket



MHz	50	100	200	400	700	800	1000	1200	1450	1800	2200
dB loss per 100 feet	1.45	2.02	2.83	4.05	5.60	6.23	6.59	7.50	8.10	8.95	9.98

RG6 Type 75Ω coaxial cable (for cable TV) x 5

1080P/8bit → 100M

1080P/12Bit → 75M

Or

Belden™ 7789A 23 solid AWG and solid 25AWG RGBHV Cable with 5 BNC.

AWG	RESOLUTION	DISTANCE
23	1080P-8bit	85±5 m
	1080P-12bit	60±5 m
25	1080P-8bit	65±5 m
	1080P-12bit	40±5 m

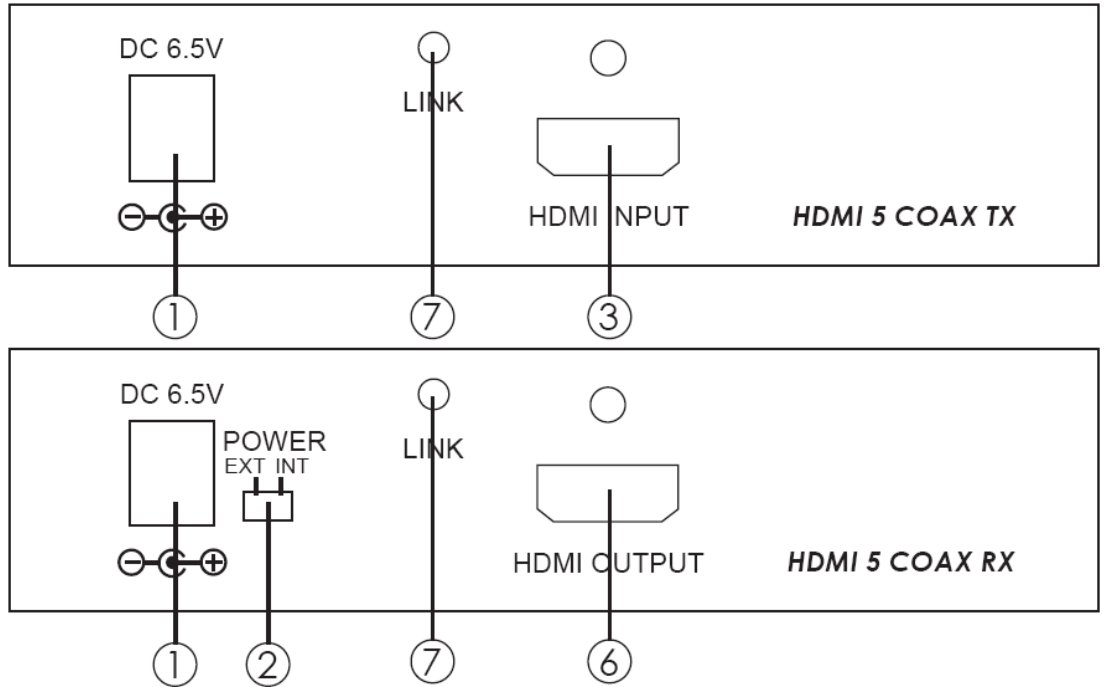
Or

Total Technologies, Ltd.© E193793 28 AWG RGBHV Cable with 5 BNC.

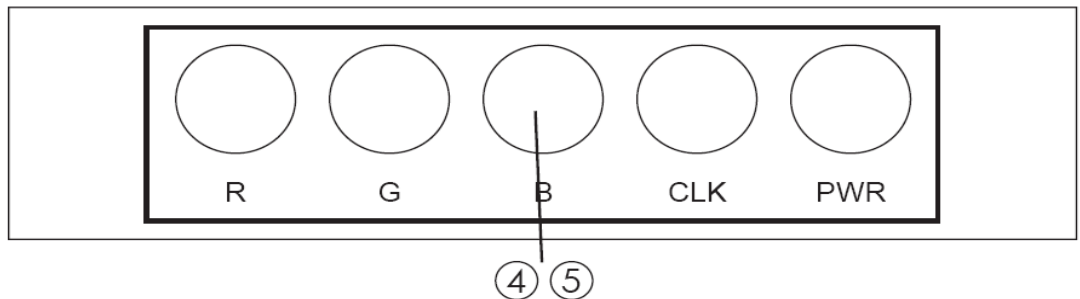
AWG	RESOLUTION	DISTANCE
28	1080P-8bit	45±5 m
	1080P-12bit	15±5 m

Operating Functions and Controls Installation

Please follow the step-by-step instruction below to install your Active Connect Multimedia Transmitter and Receiver Box.



- 1** Connect one of the power adaptors to Active Connect multimedia Transmitter Box and plug in the power. May also plug the other adaptor to Active Connect Multimedia Receiver Box.
- 2** Switch the power selection on Active Connect Multimedia Receiver Box to INT without adaptor connection or EXT and connect the other adaptor with plug in power. (Suggest using external power supply when long distance cables are used).
- 3** Connect your HDMI input device (Blue-Ray DVD or PS3) to Active Connect Multimedia Transmitter Box with HDMI cable (Suggest to use HDMI cable under 1M for quality performance).



- 4** Connect BNC-F connectors to both sides of the 5 cables.

5 Connect RGB, Clock, and Power with 75Ω cables accordingly to Active Connect Multimedia Transmitter and Receiver Box. MAKE SURE TO CONNECT RIGHTLY ACCORING TO THE INSTRUCTION. (Suggest using no longer than 100Ms cables for 1080P/8bit's resolution and 75Ms cables for 1080P/12bit's resolution)

6 Connect HDMI output device (LCD TV or HDMI monitor) to Active Connect Multimedia Receiver Box with HDMI cable (Suggest to use HDMI cable under 1M for quality performance).

7 Link's green led light will light up when all connection is rightly connected and power on.

Connection



Specifications

Input port	1 HDMI to 5 BNC connectors
Output port	5 BNC connectors to 1 HDMI
HDMI Specification	V 1.3
HDMI Resolution	480i~1080p 50/60, 1080p 24, VGA~WUXGA
CEC Function	Bypass
HDMI Audio	PCM2, PCM 5.1, PCM 7.1, Dolby 5.1, DD+, D-TruHD, DTS-HD
Color Space	RGB 24~36, Y444 24~36, Y422 16~24
Deep Color	1080P/12bit
HDMI Cable In	1080p/8bit up to 3M, 1080p/12bit up to 1M
HDMI Cable Out	1080p/8Bit up to 15M, 1080p/12bit up to 1M
RF Cable	1080p/8bit up to 100M, 1080p/12bit up to 75M
Power Supply	6.5V/2ADC (US/EU standards, CE/FCC/UL certified)
Dimensions (mm)	125mm x 110mm x 30mm/pc
Weight(g)	270g/pc
Chassis Material	Aluminum
Silk Skin Color	Black
Operating Temperature	Operating from 0°C ~ 40°C
Power Consumption	TX: 1.9W; RX:2.2W