

# 4K HDMI 4 Way Splitter - ID# 15482



## Operation Manual

## Introduction

This 1 by 4 4K UHD HDMI Splitter is an advanced solution for splitting and distributing a single HDMI input to 4 HDMI outputs. It provides a high level of audio and video performance with support for resolutions up to 4K@60Hz (YUV4:2:0) resolution and high definition digital audio formats such as LPCM 7.1CH with audio sampling rates up to 192kHz, Dolby TrueHD, Dolby Digital Plus, Dolby Atmos and DTS-HD Master Audio. Additionally, the System Reset function allows the unit to change the input selection on any connected, CEC enabled, TVs to the input the unit is currently connected to automatically.

## Features

- HDMI 2.0 and DVI 1.0 compliant
- HDCP 1.4 compliant
- 1 HDMI input and 4 HDMI outputs
- System reset function (CEC active source command)
- Simultaneous display of a single Ultra High-Definition source on up to 8 4K UHD TV displays
- 3D signal support(with 3D source and compatible 3D TV)
- Supports 4K UHD resolutions up to 4096x2160@60Hz(YUV4:2:0, 8 bit)
- Pass-through high definition audio: including LPCM up to 7.1, Dolby Digital, DTS
- Pass-through of high definition audio including LPCM up to 7.1, Dolby Digital, DTS, Dolby TrueHD, Dolby Atmos and DTS-HD Master Audio
- EDID management control including Standard mode and TV mode

## Applications

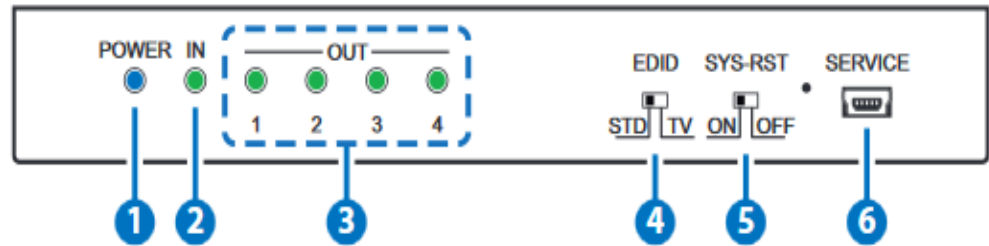
- Classroom and Lecture Hall Presentations
- Showrooms and Demo Rooms
- Hotel Lobby information Displays
- Public Commercial Displays

## System Requirements

- HDMI source equipment such as media players, video game consoles or set-top boxes.
- HDMI receiving equipment such as HDTVs, monitors or audio amplifiers.
- The use of "Premium High Speed HDMI" cables is highly recommended.

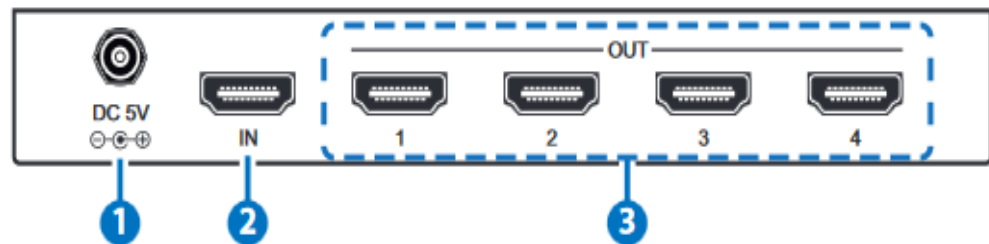
## Operating Functions and Controls

### Front Panel



- 1 . POWER:** This LED will illuminate to indicate the unit is on and receiving power.
- 2 . IN:** This LED will illuminate to indicate that a live source has been detected on the input port. When no source is detected the LED will remain off.
- 3 . OUT LEDs 1~4:** These LEDs will illuminate to indicate when a valid sink has been detected on the associated output port. When no sink is detected the LED will remain off.
- 4 . EDID:** This switch controls the EDID management behavior of the unit. When set to “TV” mode the unit will read and store the EDID from the sink connected to output 1 and pass it to the connected source. When set to “STD” mode the unit will use a built in EDID defined as 1080p@60Hz, 8-bit, LPCM 2.0.
- 5 . SYS-RST:** Controls the CEC “active source” reset functionality of the unit. When switched to the “ON” position the unit will send a CEC active source reset command to all connected displays every 8~10 minutes. This command requests that any connected CEC compliant TVs switch to the input the unit is connected on. (This function is ideal for TV displays where the public has access to the controls and might switch the input away from the preferred source)
- 6 . SERVICE:** This slot is reserved for firmware update use only.

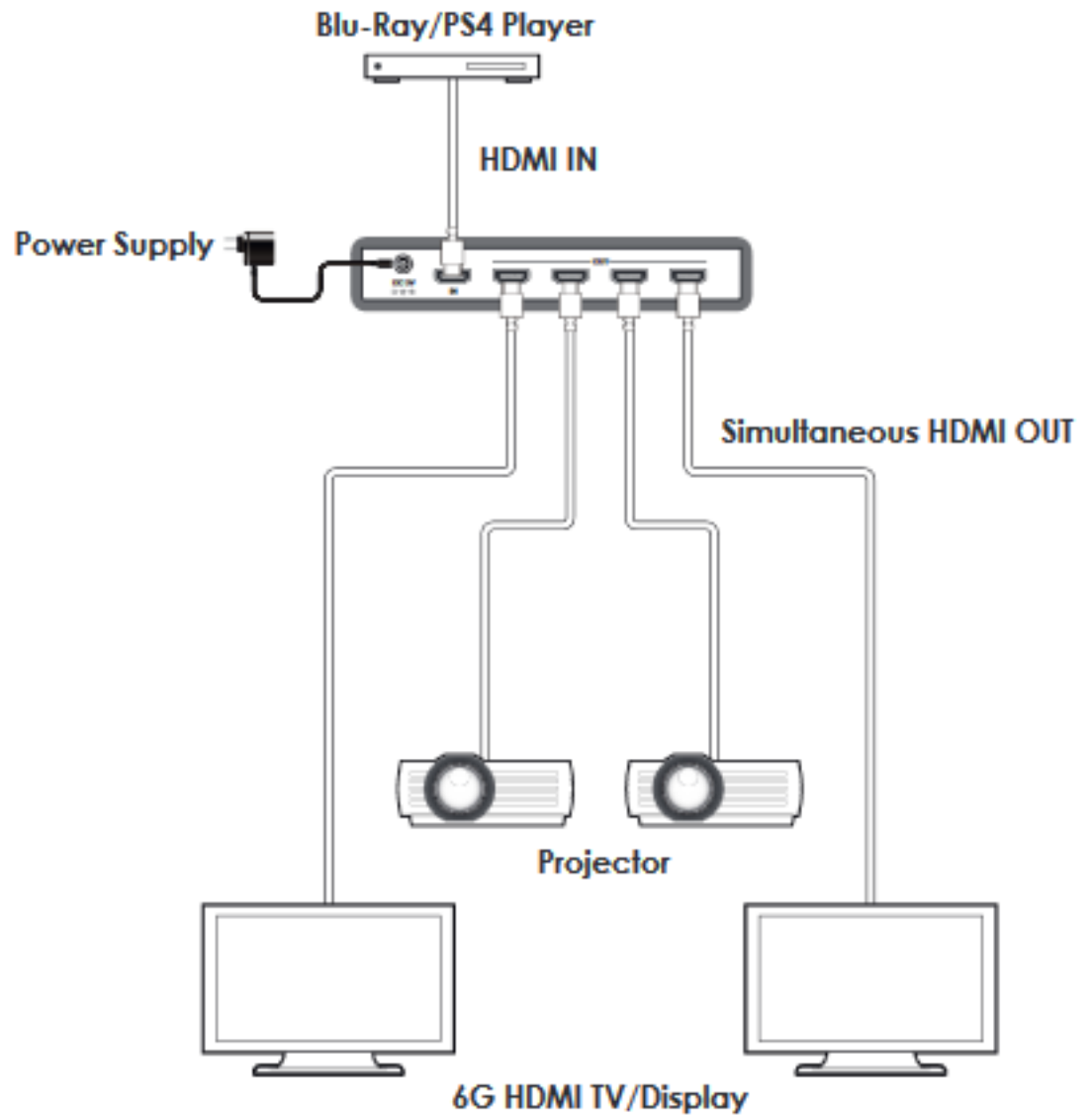
### Rear Panel



- 1 . DC 5V:** Plug the 5V DC power adapter into the unit and connect it to an AC wall outlet for power.
- 2 . IN:** Connect to HDMI source equipment such as a media player, game console or set-top box.

3. **OUT 1~4:** Connect to HDMI TVs, monitors or amplifiers for digital video and audio output.

### Connection Diagram



## Specifications

<b>Video Bandwidth</b>	300MHz/9Gbps
<b>Input Ports</b>	1× HDMI, 1× USB(Service)
<b>Output Ports</b>	4 × HDMI
<b>Supported Resolutions</b>	VGA~WUXGA 480i~1080p@60Hz 4K@24/25/30Hz (YUV4:4:4) 4K@50/60Hz (YUV4:2:0)
<b>HDMI Cable I/O Distance*</b>	5M (4K@60Hz, YUV4:2:0, 8-bit) 10M (1080p@60Hz, 8-bit)
<b>Power Supply</b>	5V/1.2A DC (US/EU standards, CE/FCC/ UL certified)
<b>ESD Protection</b>	Human Body model: ± 8kV (air-gap discharge) ± 4kV (contact discharge)
<b>Chassis Material</b>	Metal
<b>Silkscreen Color</b>	Black
<b>Dimensions</b>	161w× 26d × 76.5h(mm)
<b>Weight</b>	311 g
<b>Operating Temperature</b>	0°C~40°C / 32°F ~ 104°F
<b>Storage Temperature</b>	-20°C ~ 60°C / -4°F ~ 140°F
<b>Relative Humidity</b>	20 ~ 90% RH (no condensation)
<b>Power Consumption</b>	1.32 W

DVI and HDMI Supported Resolutions	Input	Output
640x480@60/72/75/85Hz	✓	✓
800x600@56/60/72/75/85Hz	✓	✓
1024x768@60/70/75/85Hz	✓	✓
1280x1024@60Hz	✓	✓
1366x768@60Hz	✓	✓
1600x1200@60Hz	✓	✓
1920x1080@60Hz	✓	✓
1920x1200@60Hz	✓	✓
1440x576i@50Hz	✓	✓
1440x480i@59.94/60Hz	✓	✓
720x480p@59.94/60Hz	✓	✓
720x576p@50Hz	✓	✓
1280x720p@50/59.94/60Hz	✓	✓
1920x1080i@50/59.94/60Hz	✓	✓
1920x1080p@23.97/24/25/29.97/30/50/59.94/60Hz	✓	✓
3840x2160@24/25/30Hz	✓	✓
3840x2160@50/60Hz (YUV4:2:0)	✓	✓
4096x2160@24/25/30Hz	✓	✓
4096x2160@50/60Hz (YUV4:2:0)	✓	✓